

PosMaster 표준형 IPC

품 명 : PosMaster 표준형 IPC(with PLC OS S/W)

품목 Code : PMPLC-IPC-STBR-100

일반 사양 :

Slot for a bus unit with 5 PCI/PCIe slots
 Insert for 1 slide-in compact drive and 2 slide-in drives
 Insert for 2 interface options
 SDL/DVI/Monitor and Display Port interfaces
 Insert for monitor/panel option
 CFast slot

상세사양 :

CPU board Intel Core i3 6100E - Dual core

CPU	Intel Core i3 6100E (Dual/HM170)
Memory	16GB (SO-DIMM DDR4)
NVSRAM	2MB (Static RAM)
Storage	256GB (SSD MLC)
PCI Slot	4 PCI, 1 PCI Express(x8)

CPU Data

Model number	PMPLC-IPC-STBR-100
Certifications	
CE	Yes
UL	cULus E115267 Industrial control equipment
EAC	Product family certification
Controller	
Bootloader	Embedded AMI BIOS
Processor	
Type	Intel Celeron G3900E
Clock frequency	2700 MHz
Number of cores	2

Architecture	14 nm
Thermal design power (TDP)	35 W
Intel Smart Cache	3 MB
External bus	DMI3, 8 GT/s
Intel 64 architecture	Yes
Intel Turbo Boost Technology	No
Intel Hyper-Threading Technology	Yes
Intel vPro Technology	No
Intel Virtualization Technology (VT-x)	Yes
Intel Virtualization Technology for Directed I/O (VT-d)	Yes
Enhanced Intel SpeedStep Technology	Yes
Chipset	Intel HM170
Trusted Platform Module	TPM 2.0
Real-time clock	
Accuracy	At 25°C: typ. 12 ppm (1 second) per day
Battery-backed	Yes
Memory slot	
Number of memory channels	2
Type	DDR4
Memory size	Max. 32 GB
Max. memory bandwidth	34.1 GB/s
Graphics	
Controller	Intel HD Graphics 530
Max. dynamic graphics frequency	950 MHz
Color depth	Max. 32-bit
DirectX support	12
OpenGL support	4.4
Resolution	
DVI	Resolution up to 1920 x 1200 (WUXGA)
RGB	350 MHz RAMDAC, resolution up to 2048 x 1536 @ 75 Hz (QXGA)
Display Port	Version 1.2, resolution up to 4K
Mass memory management	4x SATA
Power management	ACPI 5.0 with battery support
Operation conditions	
Pollution degree per EN 61131-2	Pollution degree 2

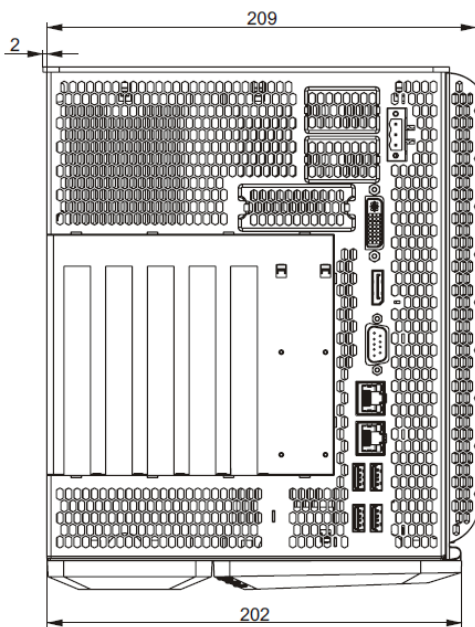
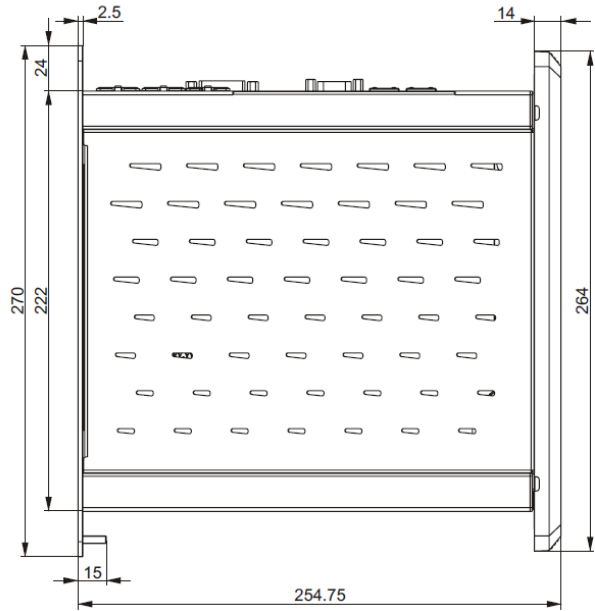
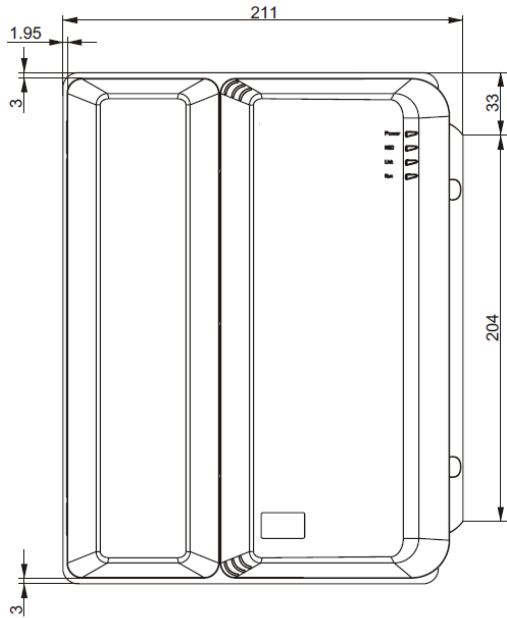
IPC System Unit

Model number	PMPLC-IPC-STBR-100
Certifications	
CE	Yes
UL	cULus E115267 Industrial control equipment
GOST-R	Yes
Controller	
loader	BIOS

Real-time clock Battery-backed	Yes
Power failure logic	
Controller	MTCX
Buffer time	10 ms
Memory	
Type	Depends on the CPU board being used
Memory size	Depends on the CPU board being used
Graphics	
Controller	Depends on the CPU board being used
Interfaces	
COM1	
Type	RS232, modem-capable, not electrically isolated
Design	9-pin, male, DSUB connector
UART	16550-compatible, 16-byte FIFO
Max. baud rate	115 kbit/s
USB	
Quantity	5
Type	4x USB 3.0 (top), 1x USB 2.0 (front)
Design	Type A
Transfer rate	Low speed (1.5 Mbit/s), full speed (12 Mbit/s), high speed (480 Mbit/s), Super Speed (5 Gbit/s)
Current-carrying capacity	Max. 1 A per connection
Ethernet	
Quantity	2
Design	Shielded RJ45
Transfer rate	10/100/1000 Mbit/s
Max. baud rate	1 Gbit/s
Panel/Monitor interface	
Design	DVI-I
Type	SDL/DVI/Monitor
Inserts	
PCI/PCIe slots	
Quantity	5 PCI slots or 4 PCI slots and 1 PCIe slot or 2 PCI slots and 3 PCIe slots or 5 PCIe slots
Slide-in drives	
Quantity	2
Type	Depends on the CPU board being used
Interface option	2
Monitor/Panel option	1
Add-on UPS slot	Yes
Insert for fan kit	Yes
Electrical characteristics	
Nominal voltage	24 VDC \pm 25%, SELV
Nominal current	Max. 5.5 A
Inrush current	Max. 60 A for <300 μ s
Overvoltage category per EN 61131-2	II
Electrical isolation	Yes
Operating conditions	

Pollution degree per EN 61131-2	Pollution degree 2
Degree of protection per EN 60529	IP20

DIMENSION :



https://www.poscoict.com/business/smart_solution06.jsp